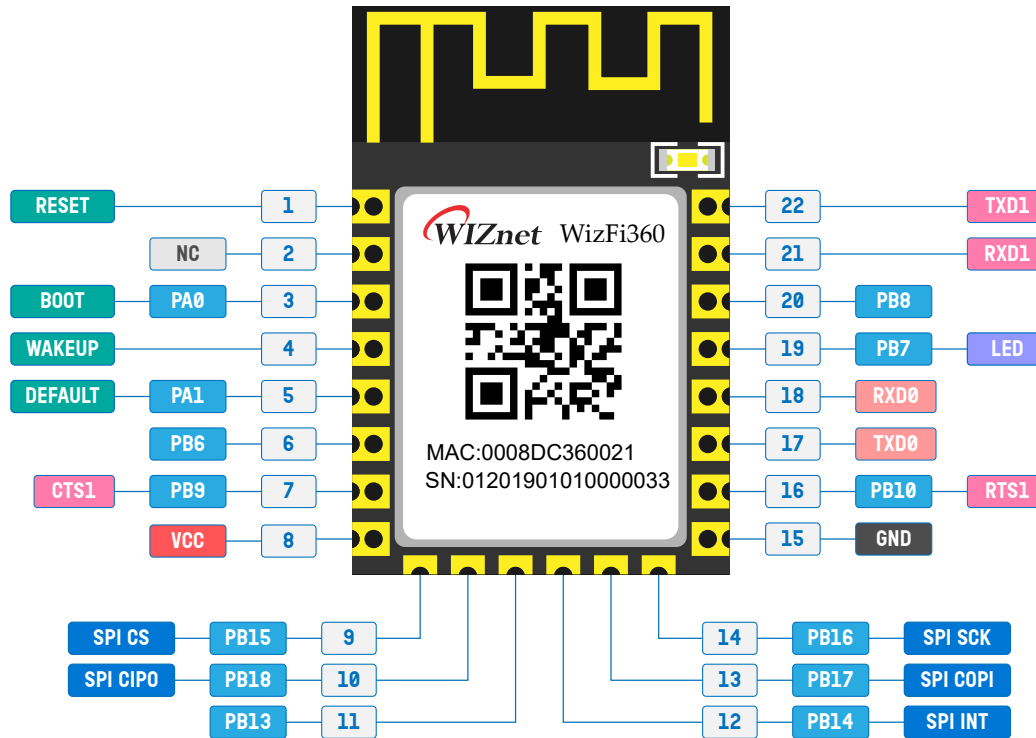


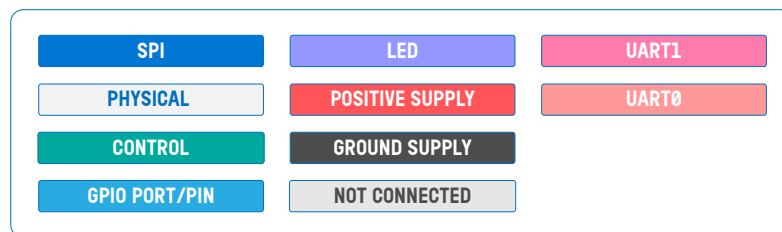
WIZnet WizFi360-PA PINOUT



SPECIFICATIONS

SoC	W600
Core Count	1
Family	ARM Cortex-M3
Clock Max.	80 MHz
Flash	1 MB
SRAM	288 KB
32-Bit Timer	6
GPIO	17
PWM Channels	5
ADC Channels	0
I2S	1
SPI	1
UART	2
I2C	1
SDIO	1
Voltage Range	3.3V

*WIZnet and WIZnet logo are trademarks of WIZnet Co., Ltd.



Rev. 0.2, 06-12-2022
Design: Vishnu Mohanan
This work is licensed under a Creative Commons Attribution 4.0 International License.